



www.esbe.se

Mtrl.nr.9814 02 99 • Ritn.nr. 9145 utg. A • Rev. 0711



SERIES LTC100

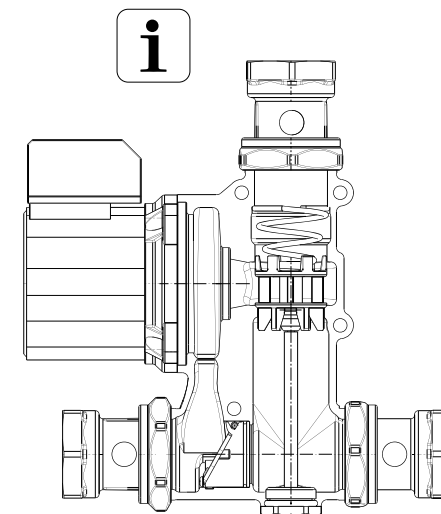
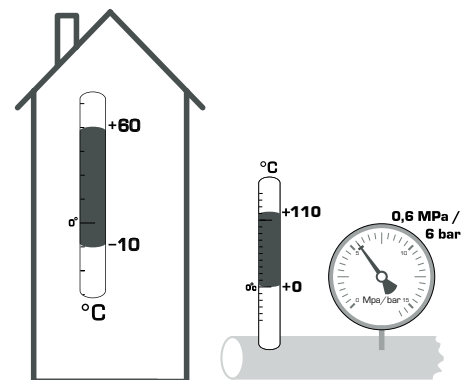


NO.1 IN HYDRONIC SYSTEM CONTROL

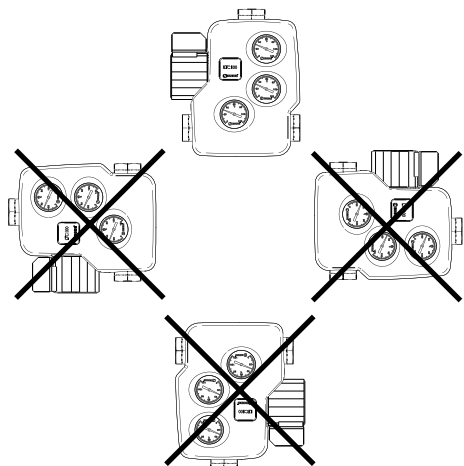


Series LTC141
Series LTC143
Series LTC171

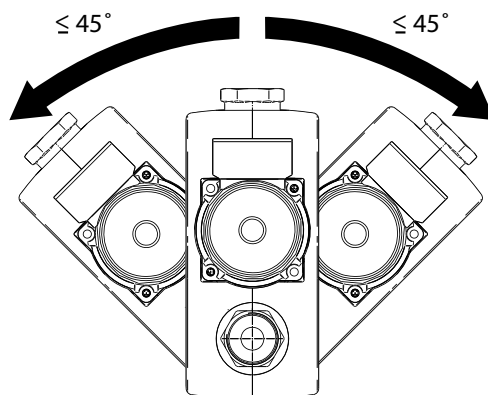
CE
LVD 73/23/EEC
EMC 89/336/EEC
PED



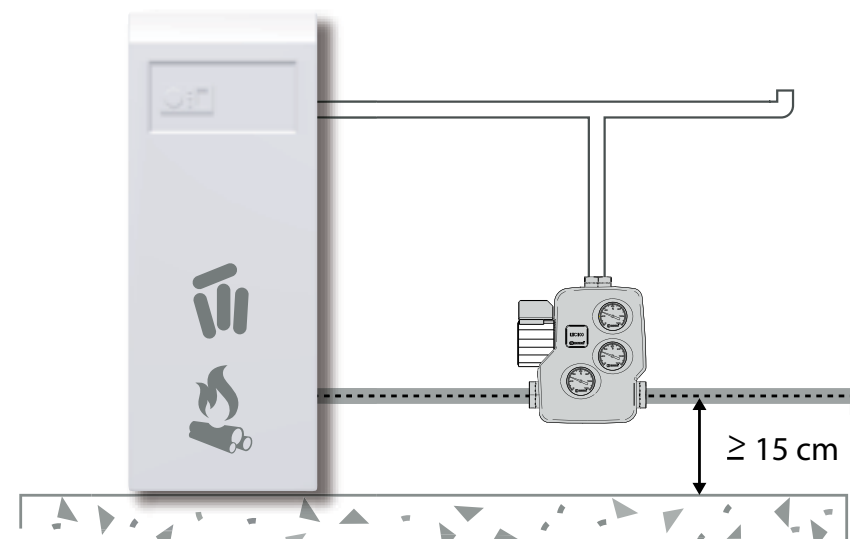
1



2



3

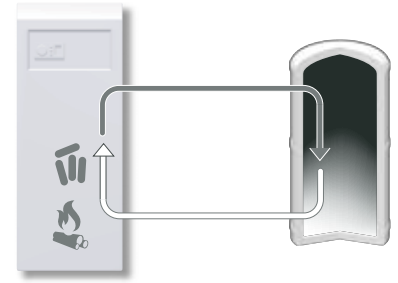
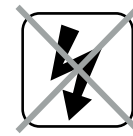
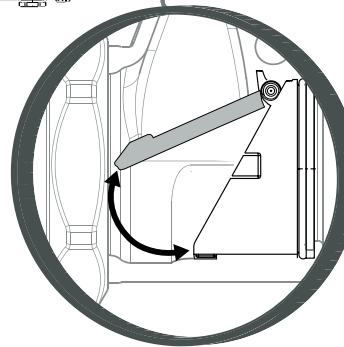
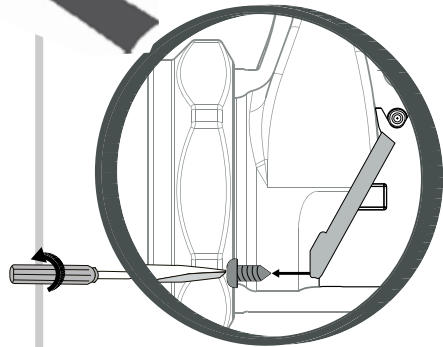
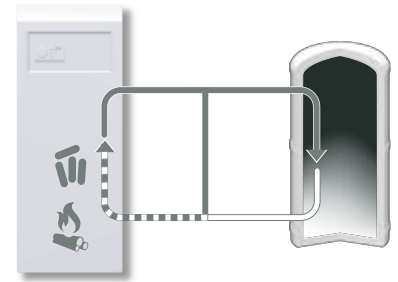
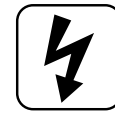
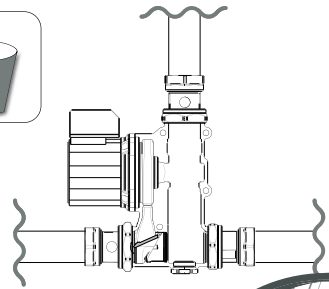
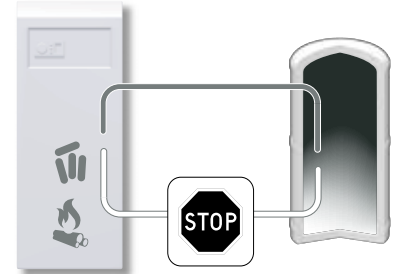
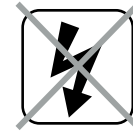
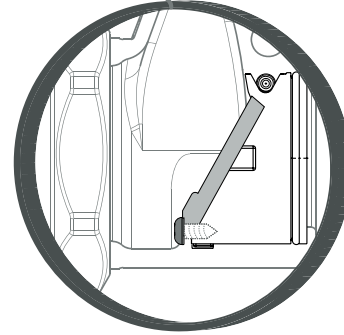
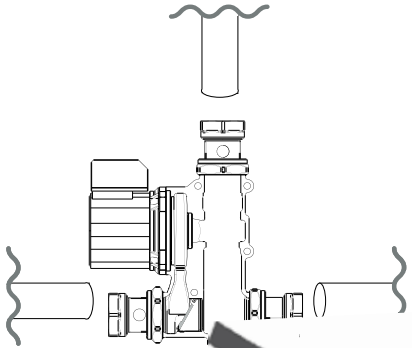
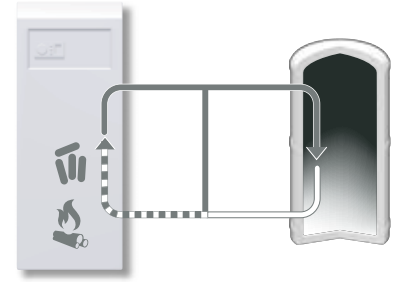
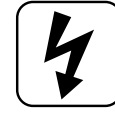
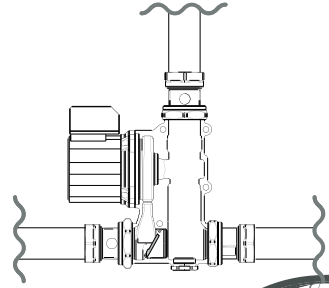


4

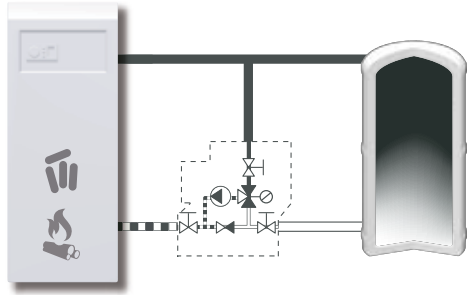
a

b

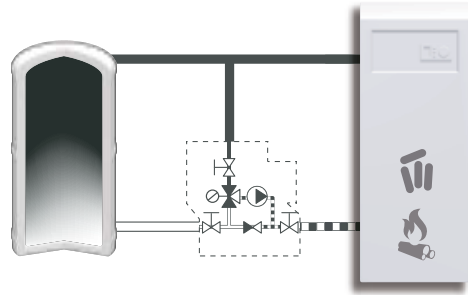
c



5a

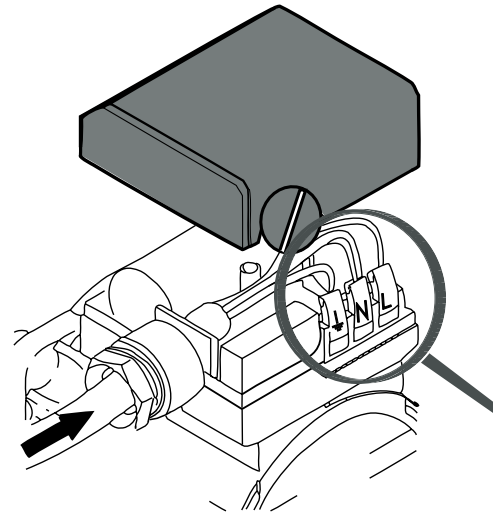


5b



230 VAC, 50Hz

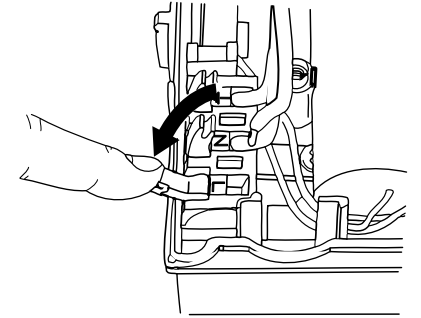
6a



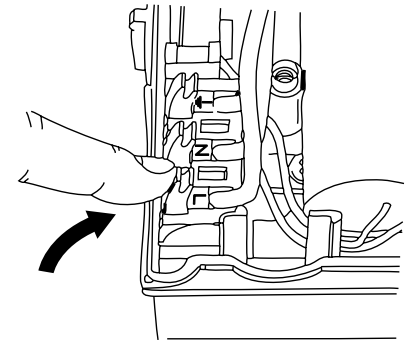
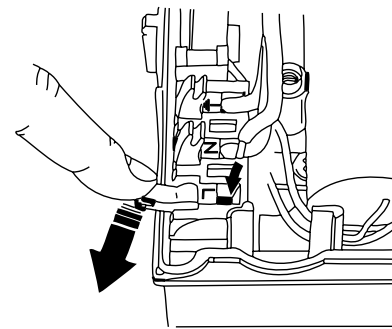
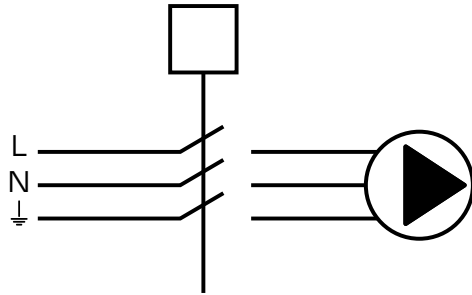
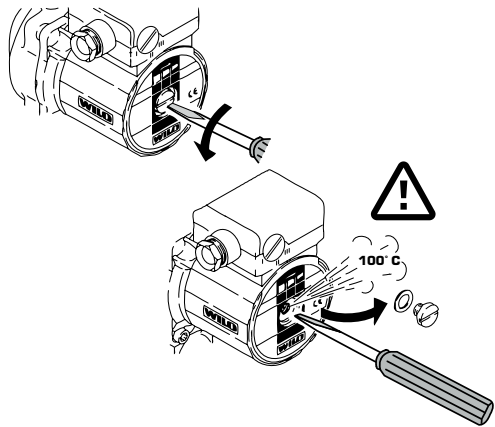
6c

6b

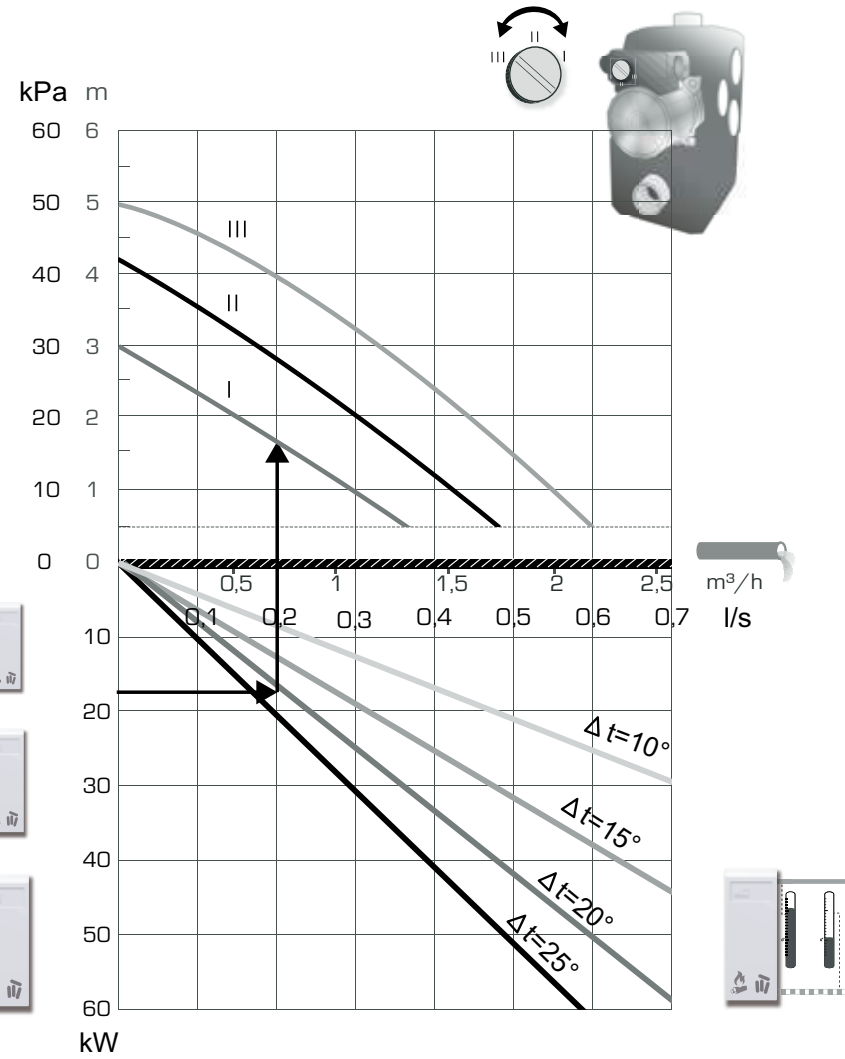
230 VAC, 50Hz



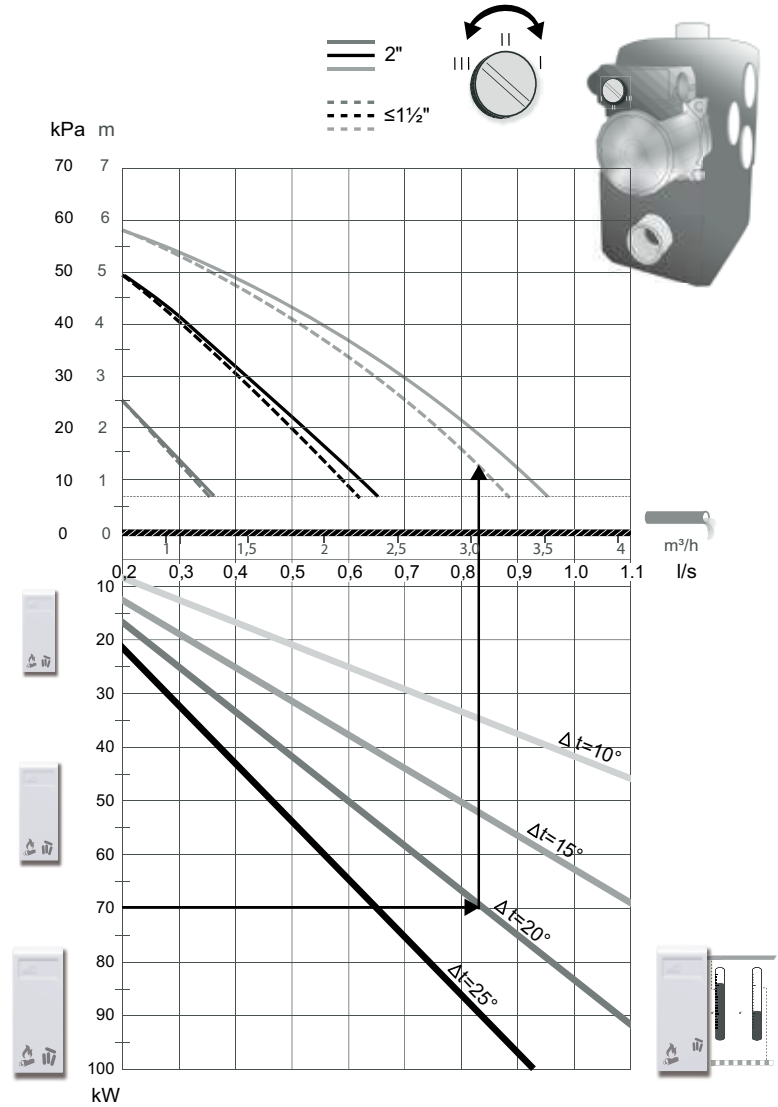
6d



LTC140



LTC170



1	2	3	4	5	6
kW	→	Δt	↑	↑	↑